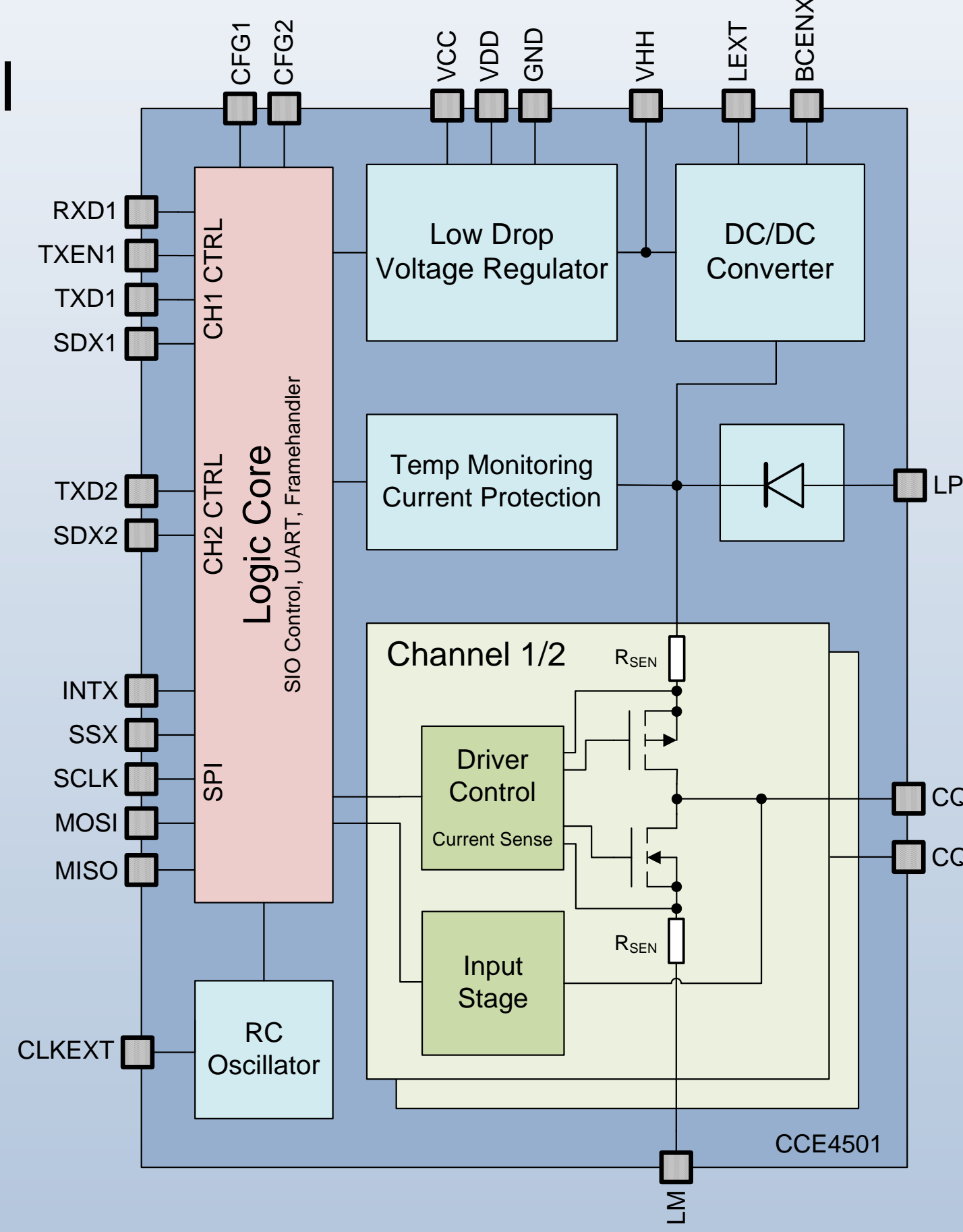




CCE4501

Device ASIC

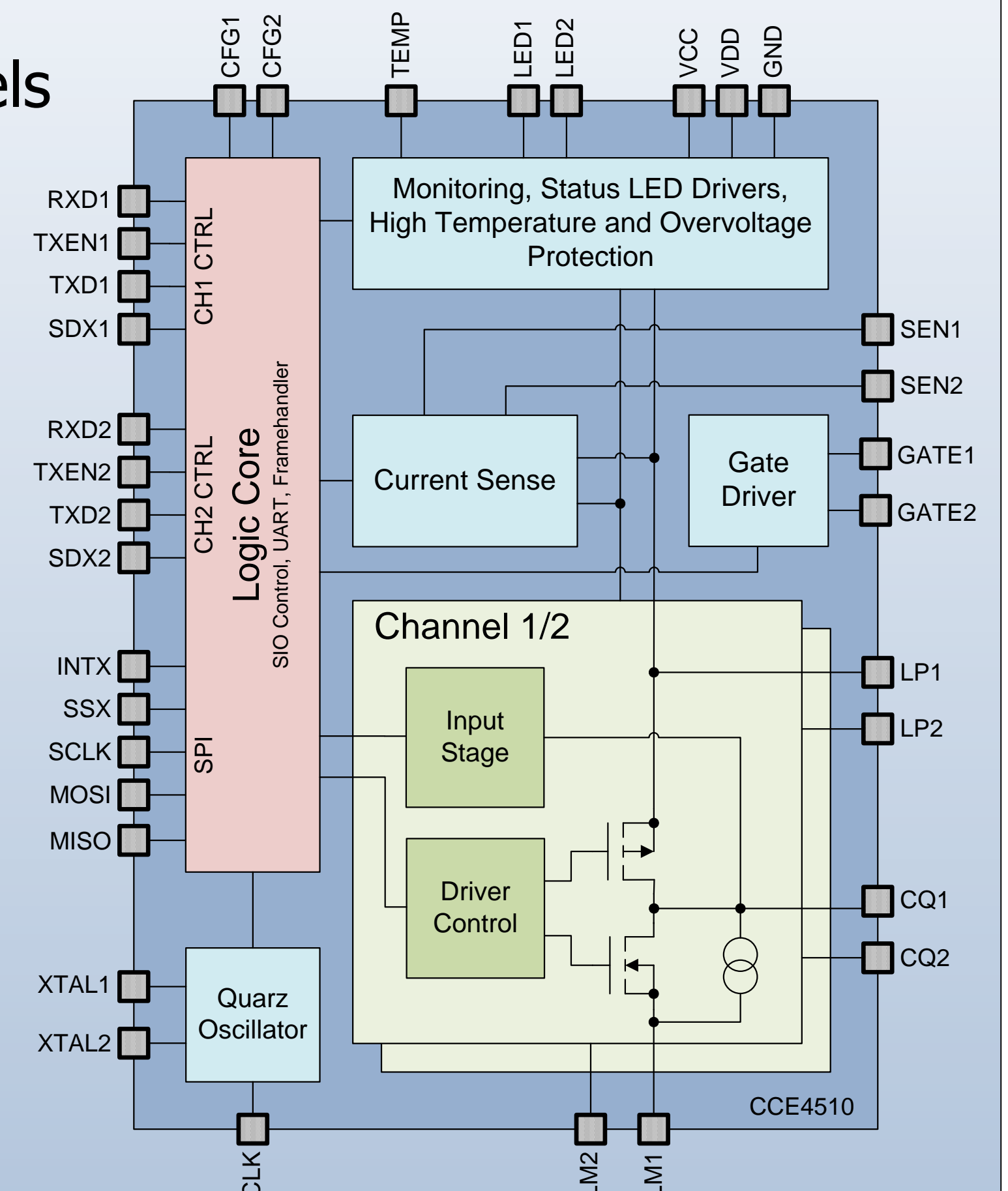
- . One IO-Link compliant channel
- . Additional high voltage output
- . Up to 500 mA driving current
- . Inverse-polarity protection
- . DC/DC converter
- . 3.3/5 V voltage regulator
- . Temperature compensated RC oscillator
- . Integrated UART (COM1-3)
- . Hardware frame handler (supports IO-Link v1.1 frame type 0, 1.1-1.2 and 2.1-2.6)
- . Ideal fit for IO-Link sensors and actuators



CCE4510

Master ASIC

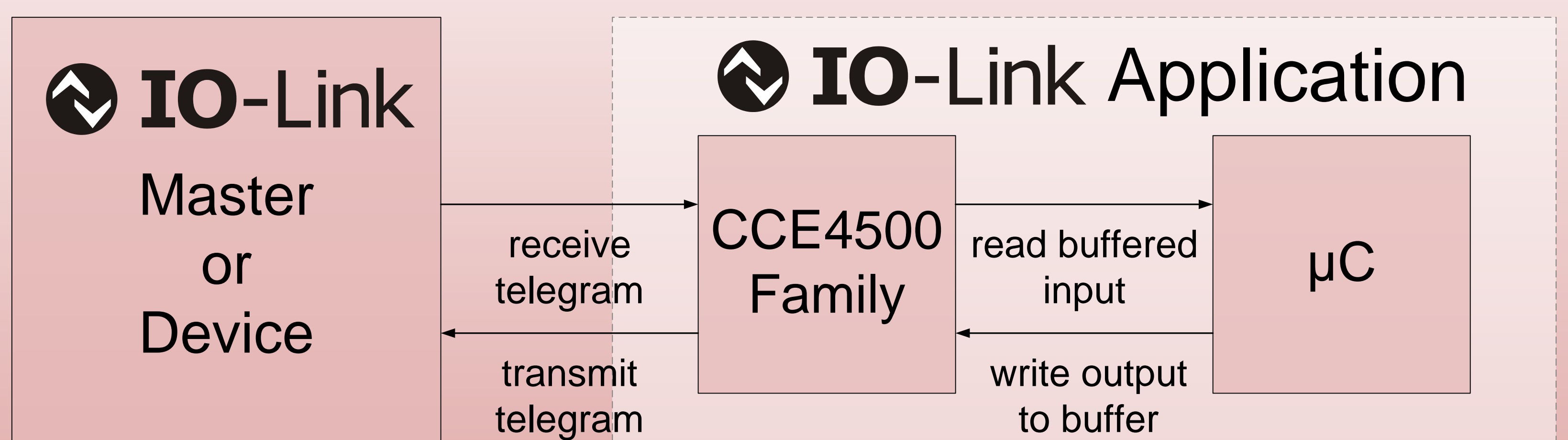
- . Two IO-Link compliant channels
- . Up to 1 A driving current
- . Wide voltage range 8-32 V
- . NMOS gate drivers to switch power supply of devices
- . Quartz oscillator
- . Two status LED drivers
- . Integrated UART (COM1-3)
- . Hardware frame handler (supports any IO-Link v1.1 frame type)
- . Ideal fit for 2/4/8/16-port IO-Link Master applications



advanced features

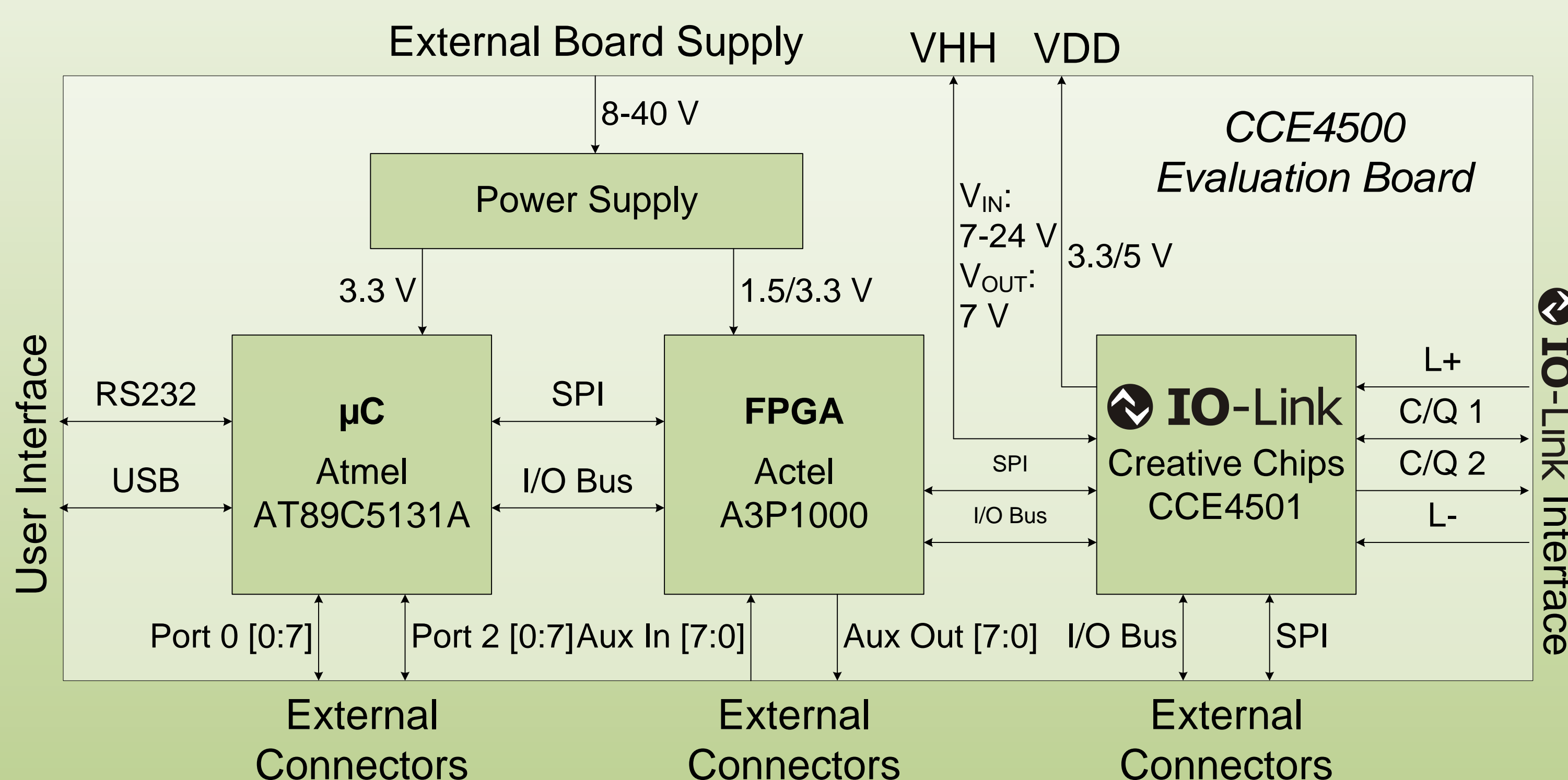
Integrated Frame Handler

- . IO-Link v1.0 and v1.1 compliant
- . Supports all frame types
- . Master and Device mode available
- . Automatic checksum calculation
- . Timeout watchdog
- . Reduced load for microcontrollers



customized IO-Link solutions

CCE4500 Evaluation Board



- . sophisticated evaluation platform
- . dedicated for development and test of customized IO-Link solutions

