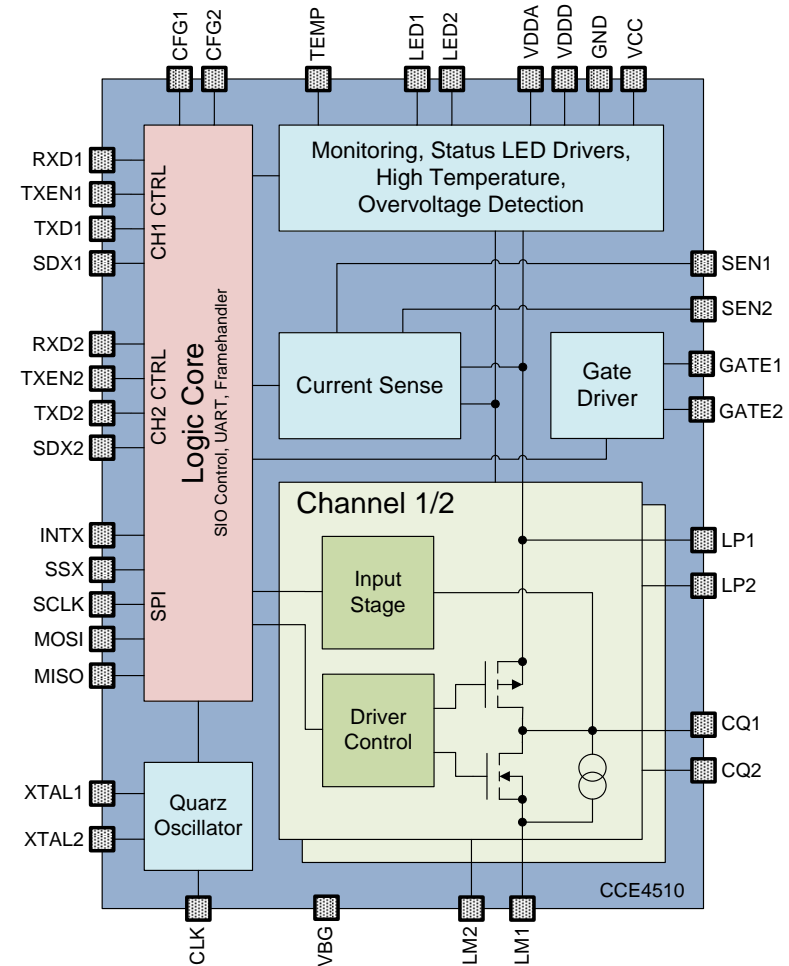
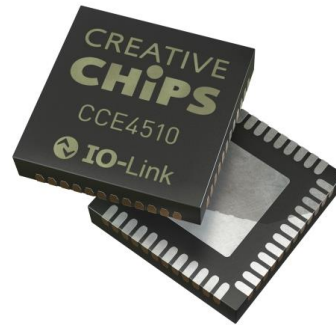


CCE4510 IO-Link Master IC

CCE4510 IO-Link Master IC

**Features**

- Two IO-Link conform channels with up to 1A peak driving current
- Wide voltage range 8-32 V, extended voltage range for pads
- Supply Monitoring
- Transceiver mode
- Integrated UART (COM1-3)
- Hardware frame handler (support for any IO-Link v1.1 frame type)
- Fully IO-Link v1.1 compliant
- Possibility to use IO-Link Ports as Master or Device
- Completely automated wake-up procedure for Master
- Synchronization features for channels and LEDs
- Includes NMOS gate drivers to switch power supply of devices
- Supports feed through of clock
- Overvoltage detection
- High temperature protection
- Two Status LED drivers
- Ideal fit for 2/4/8/16-port IO-Link Master applications



Disclaimers: Creative Chips GmbH reserves the right to make changes without further notice to any products herein to improve reliability, function or design. Creative Chips does not assume any liability arising out of the application or use of any product or circuit described herein; neither does it convey any license under its patent rights, nor the rights of others. These products are not authorized for use as critical components in life support devices or systems without the written approval of Creative Chips.