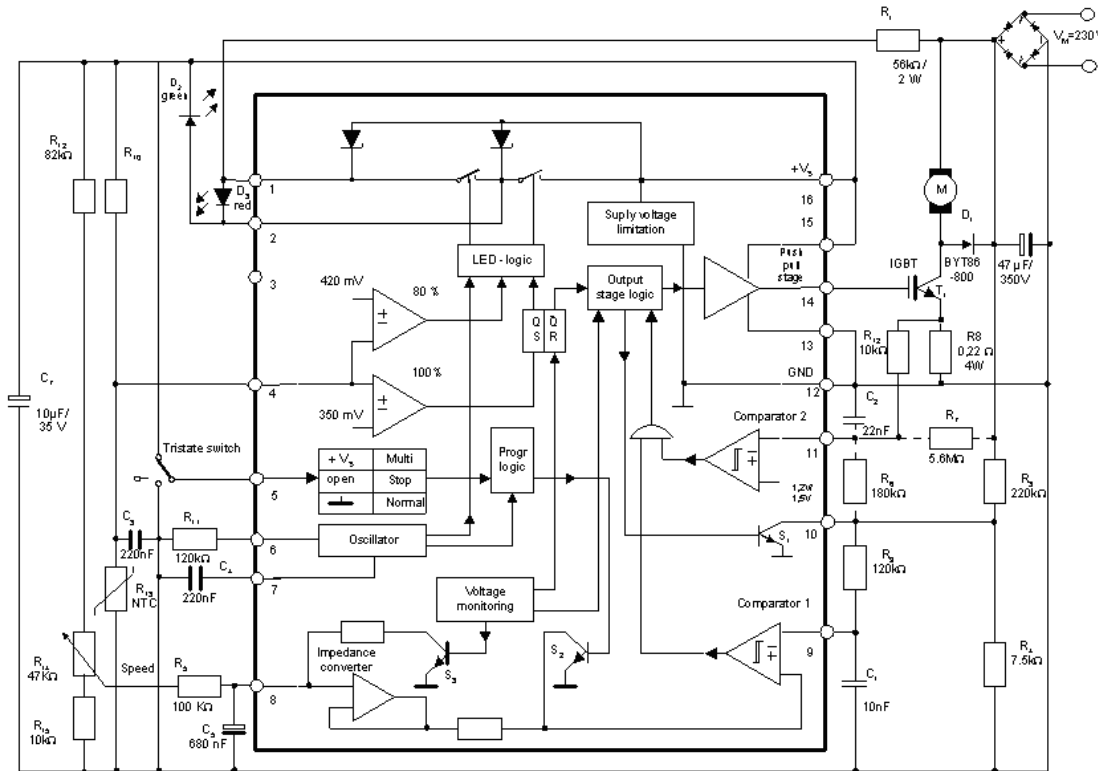
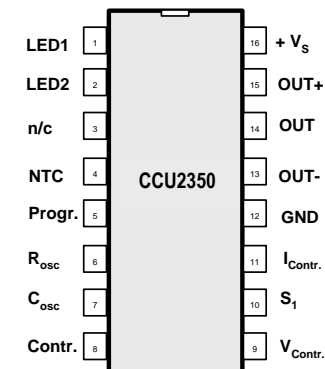


CCU2350 PWM Speed Control for permanent excited DC Motors



Features

- Motor control for household appliances, domestic tools
- Pulse width control up to 30 kHz clock frequency
- Mains supply compensation
- Current regulation
- Temperature monitoring with indicator
- Active operation indicator
- Blink-warn indicator
- Switchable to interval operation
- Push-pull output stage for separate supply
- Supply voltage monitoring
- Temperature compensated supply voltage limitation
- SOP16 package
- Direct replacement of other 2350 types (U2350B)



Parameters	Condition, Pin	Symbol	Value (typ)	Unit
Supply Voltage (Clamping Voltage)	Pin 16	V_{SCLAMP}	16.5	V
Current consumption @ V_S	$V_S=16.5\text{ V}$	I_S	3	mA
Voltage monitor on/off threshold		V_{SON} / V_{SOFF}	14 / 12.5	V
Comparator 1 switching hysteresis		V_{HYS}	360	mV
Comparator 2 on/off threshold		V_{TON} / V_{TOFF}	1.2 / 1.5	V
Push Pull stage output voltage range	$I_{OUT} = 10\text{ mA}$	V_{SATH} / V_{SATL}	14 / 1.2	V
Push Pull stage output slewrate	$C_{GATE} = 1\text{ nF}$	t_{RISE} / t_{FALL}	250 / 600	ns
Output current limitation		I_{OUTMAX}	-200 / 200	mA
Temperature monitor 80% / 100% threshold		V_{T80} / V_{T100}	420 / 350	mV
Temperature monitor OFF threshold		V_{TOFF}	$V_S - 1.8$	V
Oscillator upper/lower saw tooth threshold	$V_S=16.5\text{ V}$	V_{TMAX} / V_{TMIN}	9 / 1.8	V
Temperature range	(ambient)	T_{amb}	-10 to +100 °C	°C

Disclaimers:
Creative Chips GmbH reserves the right to make changes without further notice to any products herein to improve reliability, function or design. Creative Chips does not assume any liability arising out of the application or use of any product or circuit described herein; neither does it convey any license under its patent rights, nor the rights of others. These products are not authorized for use as critical components in life support devices or systems without the express written approval of Creative Chips.